

SUBJECT TO FIRE MARSHAL APPROVAL



BUILDING LEGEND

- HALL B1 UTILITIES
 - A 480V, THREE, 150AMP
 - ZONE THREE, 20AMP
 - 120V, SINGLE, 15AMP
- B ZONE THREE, 20AMP
- ZONE THREE, 20AMP
- 120V, SINGLE, 15AMP
- C ZONE THREE, 20AMP
- 120V, SINGLE, 15AMP

PLUMBING PORTS

- *FAS
- *WATER
- *DRAIN

HALL B2 UTILITIES

- ELECTRICAL ROOM OVERHEAD
- 200V AND 480V
- PLUMBING PORTS
- OVERHEAD 1" GAL. 1" WATER
- 4" FLOOR DRAIN

CEILING HEIGHT IN HALL B1 = 40'

CEILING HEIGHT IN HALL B2 = 18'

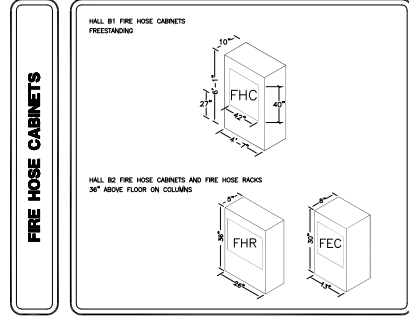
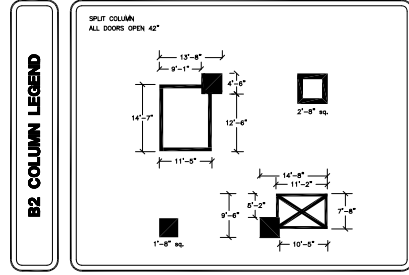
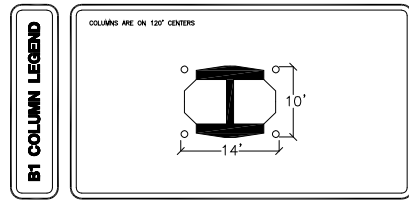
CEILING HEIGHT IN GRAND CONCOURSE LOBBY VESTIBULES

FHC FIRE HOSE CABINET (MUST BE KEPT CLEAR)

FEC FIRE EXTINGUISHER CABINET

FHR FIRE HOSE RACK

* INDICATES LATEST REVISED



FLOOR PLAN INFORMATION

Show: National Restaurant Assn.
Date Of Show: May 18 - 21, 2019
Facility: McCormick Place North
Portion Of Facility/Hall: Level 3 - Hall B1
City: Chicago, IL
Show Number:
Aisle Size Unless Noted: 10' Drawn By: Lisa Pizzato
Booth Size Unless Noted: 10'x10' SE/AE: John Loveless
Outline: z-mccorm-b1b2.dwg
File: nra1-1905-mccorm-b1.dwg

Initial: 04-02-18 LP	Rev:	Rev:
Rev: 04-12-18 LP	Rev:	Rev:
Rev: 04-26-18 LP	Rev:	Rev:
Rev: 06-07-18 LP	Rev:	Rev:
Rev: 11-06-18 LP	Rev:	Rev:
Rev: 01-04-19 LP	Rev:	Rev:
Rev:	Rev:	Rev:

Copyright © by Global Experience Specialists. All rights reserved. No part of this publication may be reproduced, stored in any retrieval system, or transmitted in any form or by any means - electronic, mechanical, photocopying, recording, or otherwise - without express written consent of Global Experience Specialists. Every effort has been made to insure the accuracy of all information contained on this floor plan. However, no warranties, either expressed or implied, are made with respect to this floor plan. If the location of building columns, utilities, or other architectural components of the facility is a consideration in the construction or usage of an exhibit, it is the sole responsibility of the exhibitor to physically inspect the facility to verify all dimensions and locations.

**CONFIDENTIAL PROPERTY OF GES
SEE ABOVE**